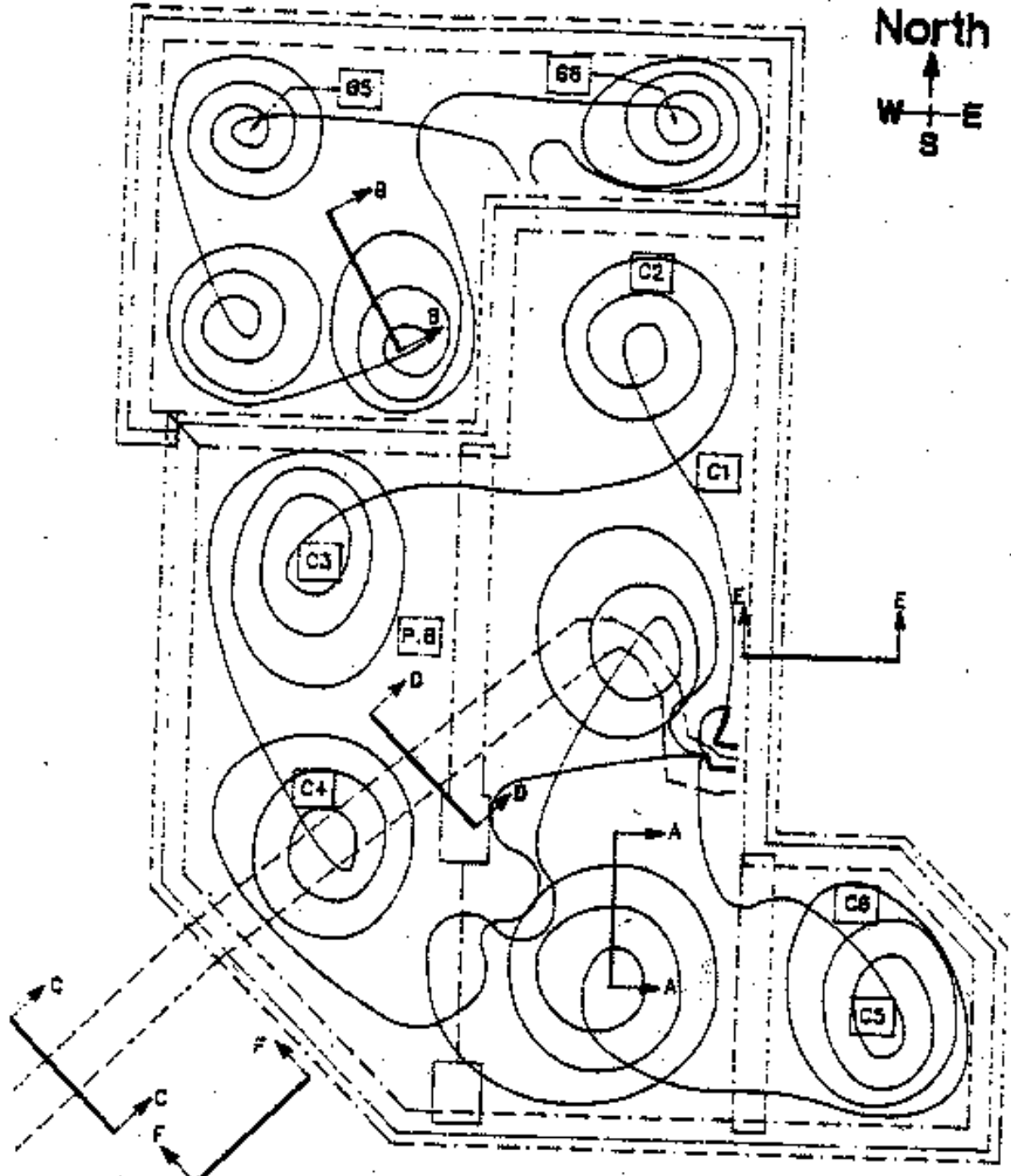


Warm, Humid EXHAUST AIR  
from Kitching, Budd, Levently

WATER to EARTH HEAT EXCHANGERS



SENSORS	V1 → V10	AT SECTION A-A
	T1 → T3	AT SECTION C-C
	T4 → T6	AT SECTION D-D
	O1 → O2	AT SECTION F-F
	O3 → O6	AT SECTION E-E
GARAGE	G1 → G4	AT SECTION B-B

# Instrumentation Section A-A

Hydronic Coil

3/4" Poly Pipes

Concrete Slab

Granite Pad

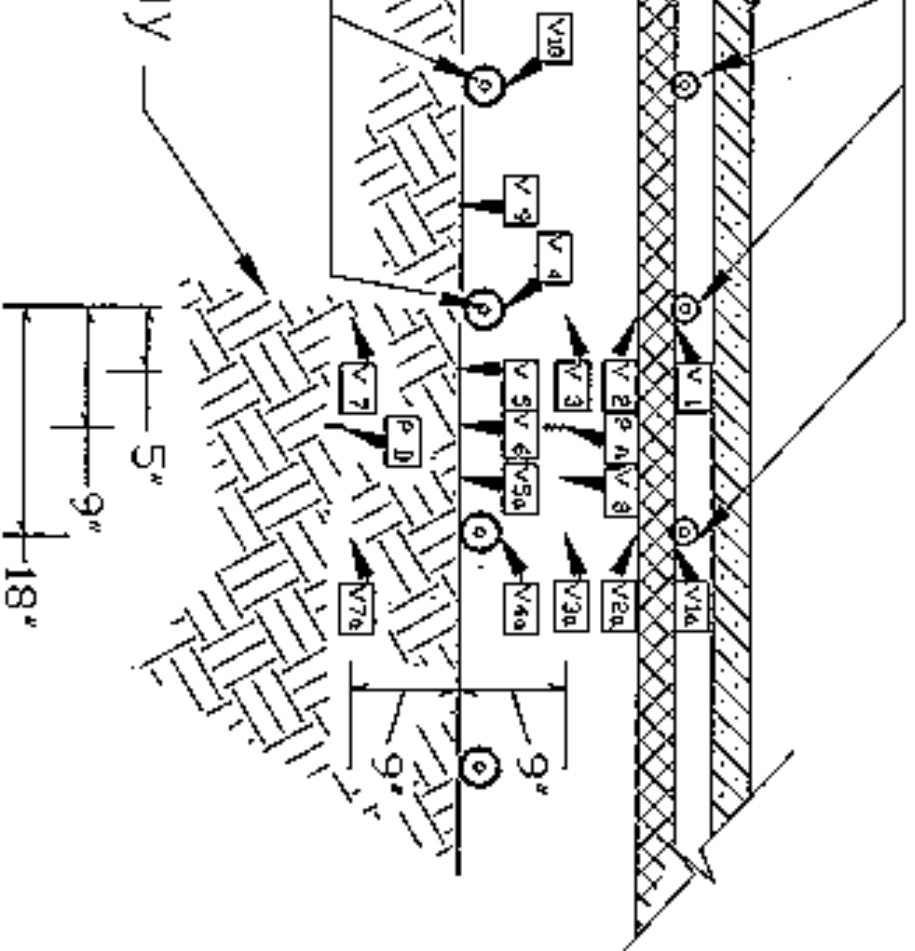
Rigid Insulation

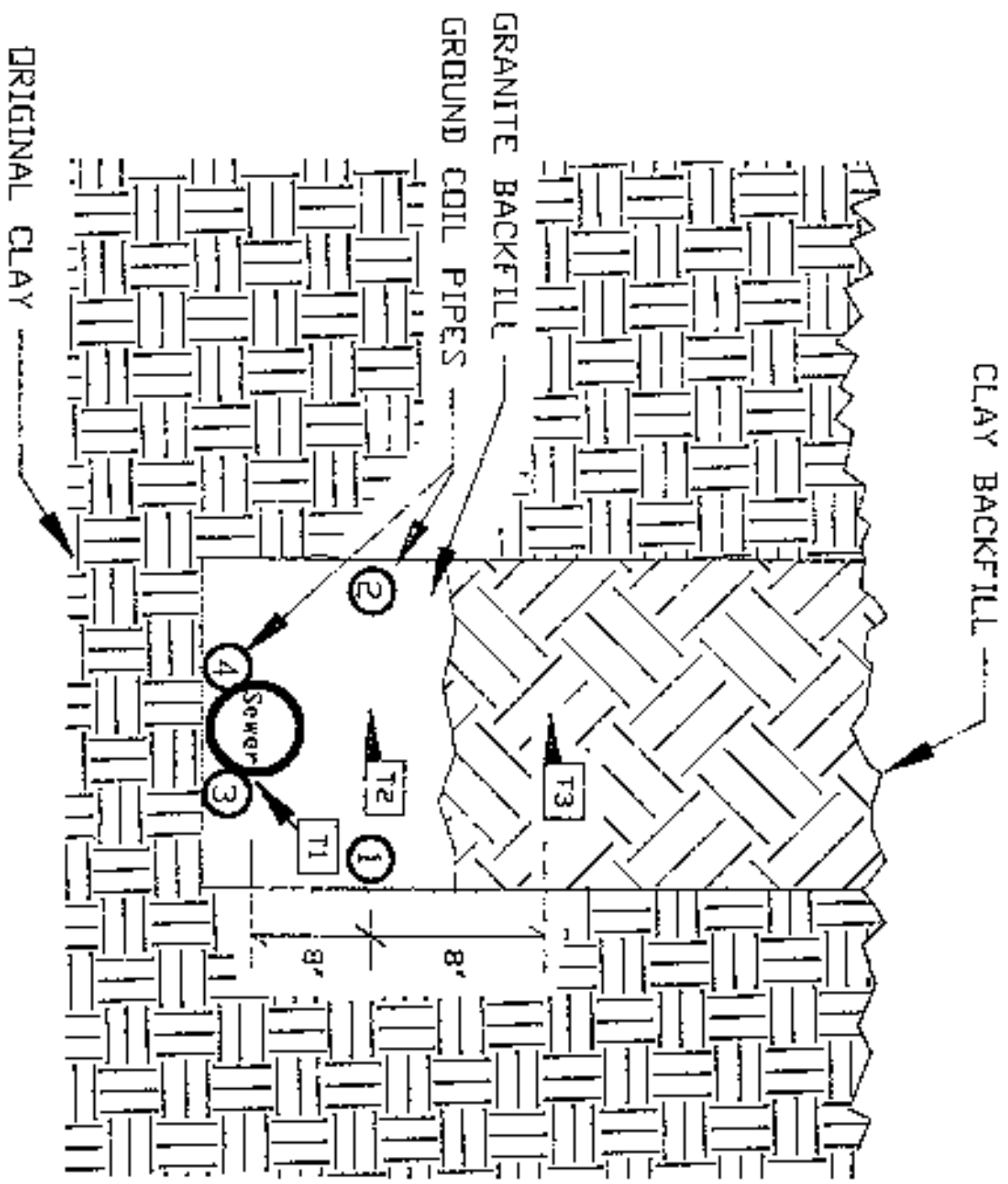
20" of

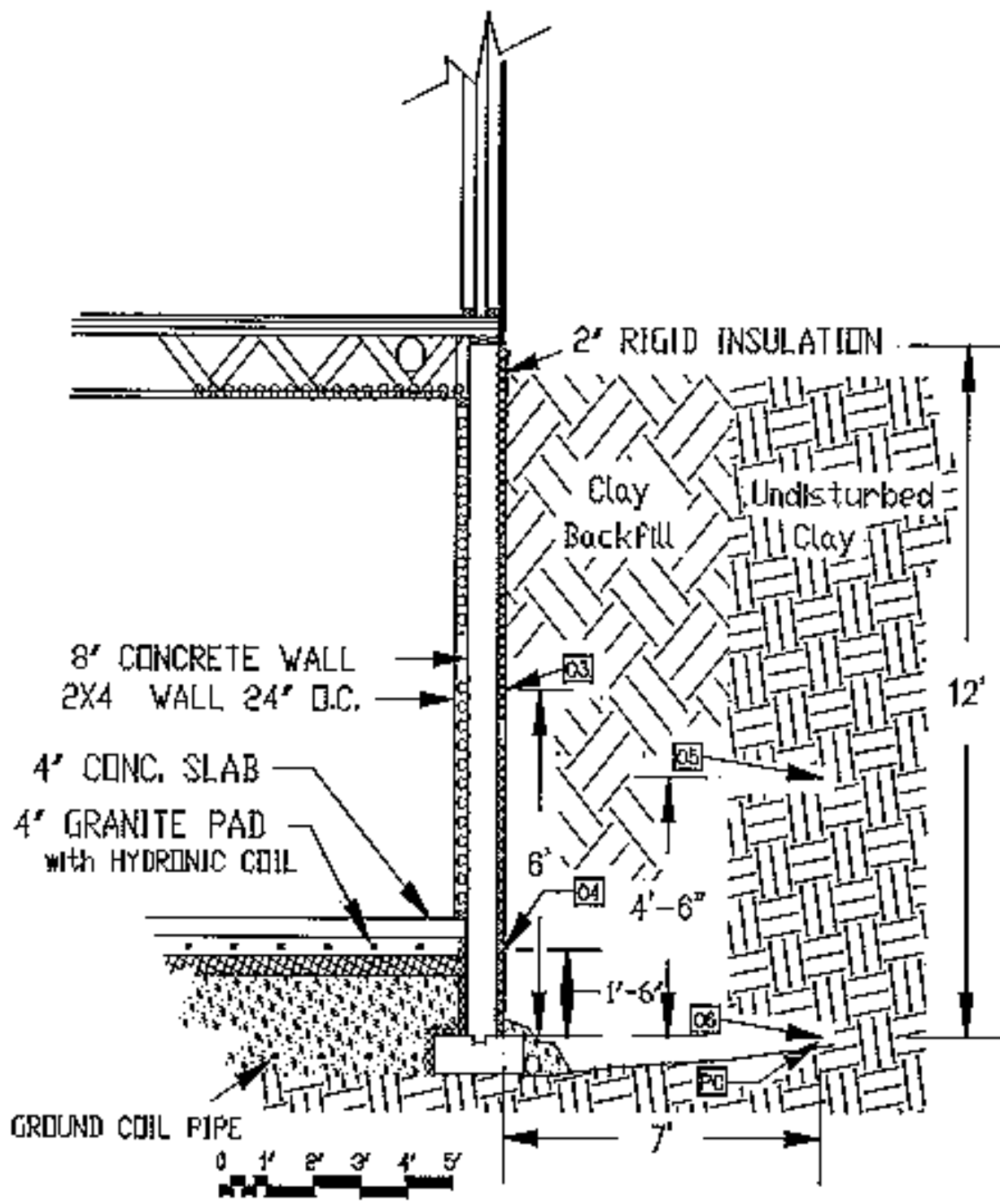
Granite Backfill

1" Poly Pipes

Original Clay







Instrument Section E-E

